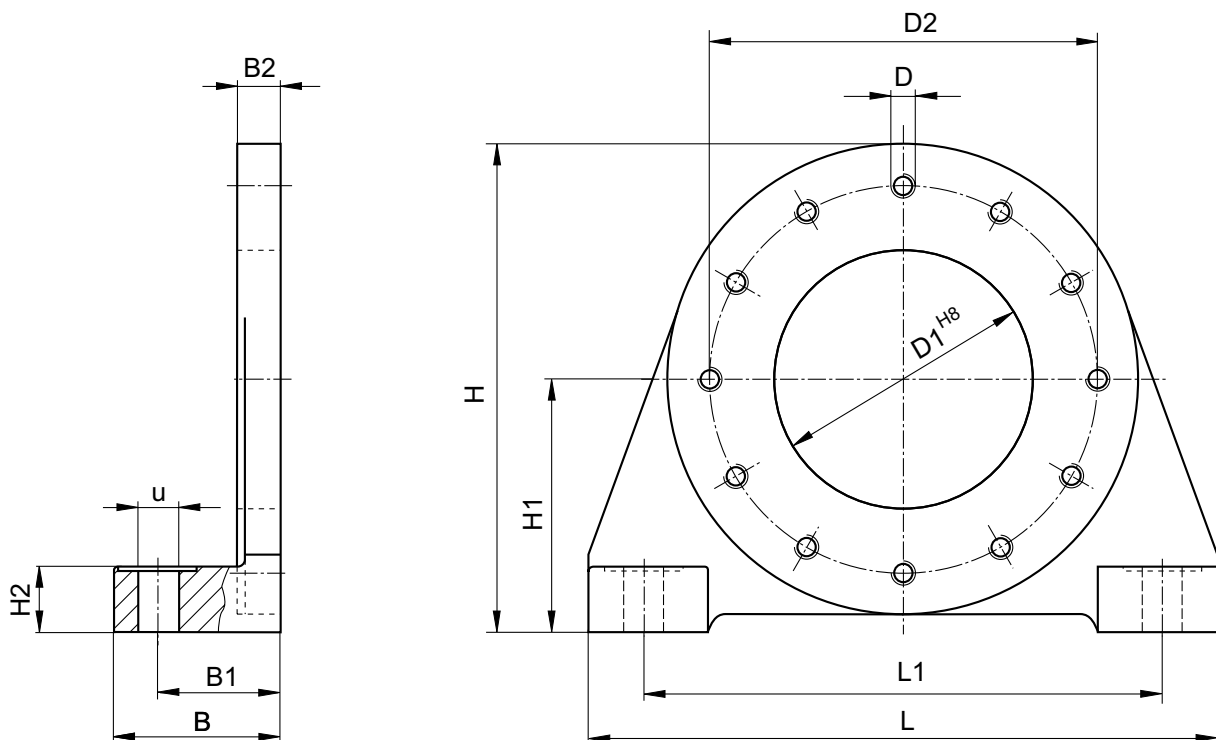


## Data Sheet

# Bearing Support Blocks LBZR

### Special features

- Bearing support blocks for force sensors of the BZA/BZN-series
- 12 drilled holes for sensor mounting equally spaced at a 30° pitch
- Surface protection with multiple metallic layer coating



### Dimensions

Size	B	B1	B2	D1H8	D2	D	H	H1	H2	L	L1	u
LBZR 1	40	25,5	10	60	90	M6	109	56	14	140	115	9
LBZR 2	45	33,0	13	70	105	M6	130	67	18	170	140	11
LBZR 3	70	47,5	19	100	155	M8	178	90	24	240	195	18
LBZR 4	90	57,5	24	130	200	M10	232	118	30	290	240	22