

Product Description

Web Tension Sensor BZH-K Size 00

Special Features

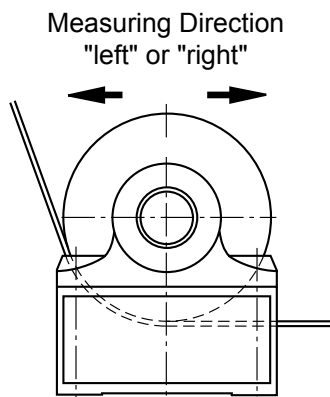
- Nominal force from 1 up to 5 kN
- Compact design
- Easy modification to different bearing designs and sizes
- High overload protection utilising mechanical stops
- Torsion resistant measuring block made of stainless steel

Scope of Supply

Web tension sensor with fixed
PUR cable, 5 m in length with straight
receptacle

Additional Accessories

- **Option F:** For use in potentially
explosive atmospheres
(Adaption Modul J-Box contained
in the scope of supply)



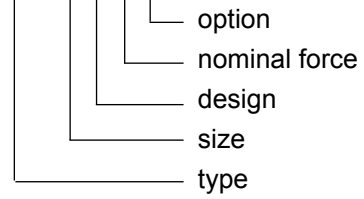
The **web tension sensors of the series BZH-K** are of a compact pillow block design and suitable for a variety of applications. The sensor is mounted in between the pillow block bearing and the machine frame.

All BZH - devices capture the horizontal forces of web tension. The voltage supply to the full bridge and the processing of the measuring signals is effected by way of a suitable amplifier of the standard **HAEHNE** product program. The signals at the output terminals of the amplifier are proportional to the acting horizontal force. They can be digitally displayed or used as instantaneous values in a closed control loop.

Technical Data	Values (%) based on nominal force
Measuring range	1; 2; 5 kN
Max. operating force	160 %
Absolute max. force	1000 %
Nominal rating (with option F: J-Box necessary)	1,5 mV / V
Combined error	0,5 %
Reproducibility	max. $\pm 0,05$ %
Linearity	$\pm 0,2$ %
Nominal ambient temperature	+10 ... +60 °C
Operational temperature range	-10 ... +75 °C
Nominal resistance of the strain gauge bridge	700 Ω
Max. bridge supply voltage	10 VDC
Enclosure protection	IP 67

Ordering Example:

BZH-K00R1k-F



When ordering please specify „L“ (left) or „R“ (right) in order to determine unequivocally the measurement direction and the cable connector exit.

