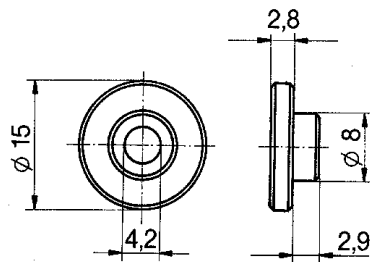


ACCESSORIES

CLAMP DISC, COUPLINGS, CABLES

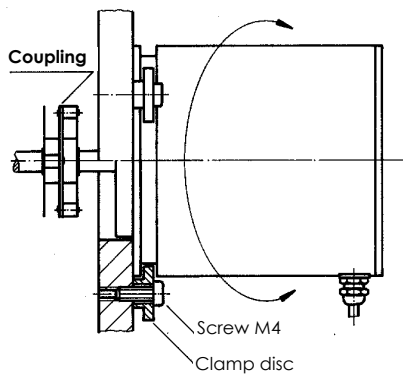
Clamp Disc

An easy mounting possibility is given by using clamp discs.

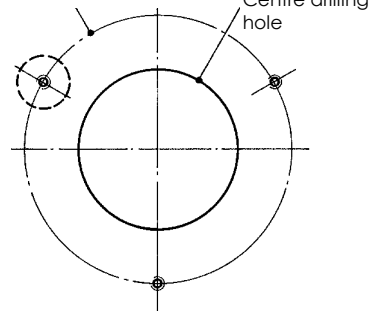


Clamp Disc Sp15

By using this kind of mounting adjustments the zero-point setting can be carried out in a simple way.



Diameter for drilling holes of clamp discs



Diameter for Drilling Holes of Clamp Discs

Encoder	Diameter
AWC 50 mm	62 mm
AWC 58 mm	69 mm (Y- / Z-Flange)
AWC 58 mm	68 mm (F-Flange)
AWC 65 mm	76 mm (A-Flange)
AWC 65 mm	75 mm (F-Flange)

Center Drilling Hole

Encoder	Diameter
AWC 50 mm	35 mm
AWC 58 mm	50 mm (Y- / Z-Flange)
AWC 58 mm	36 mm (F-Flange)
AWC 65 mm	50 mm (A-Flange)

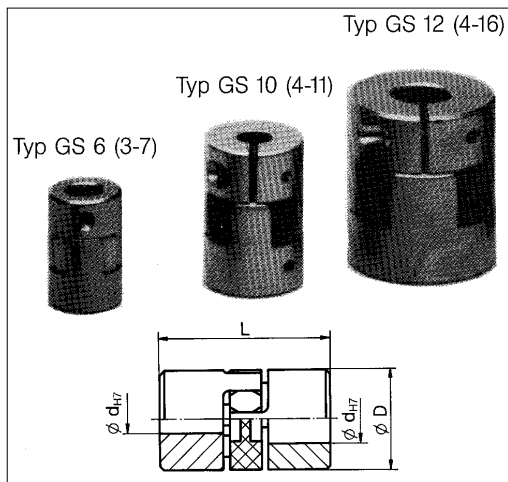
After loosening the clamp discs the absolute rotary encoder is turnable along its own axis. The coupling will be fixed during this adjustment. The zero-point can easily be adjusted within one revolution.

It is recommended to do a rough adjustment, especially for Multi-Turn encoders, before starting the mounting procedure.

ACCESSORIES

CLAMP DISC, COUPLINGS, CABLES

Pluggable Couplings GS



Main Features

- Twist-free shaft connection
- Axial connectable
- Low momentum
- maintenance-free

Standard Types

Type	L mm	D mm	Shaft-Penetration mm
GS 3 - 7	22	14	7
GS 6	22	14	7
GS 4 - 11	30	20	10
GS 10	30	20	10
GS 4 - 16	35	30	11
GS 12	35	30	11

Order Description

Type	For shafts
GS 6 *	both sides 6mm
GS 4-11 •	4 to 11 mm
GS 10 *	both sides 10 mm
GS 4-16 •	4 to 16 mm
GS 12 *	both sides 12 mm

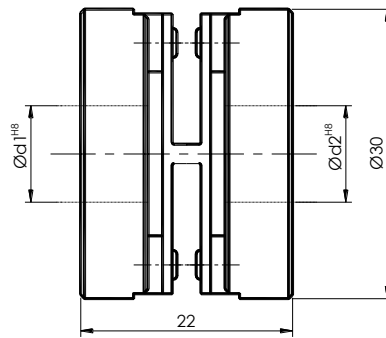
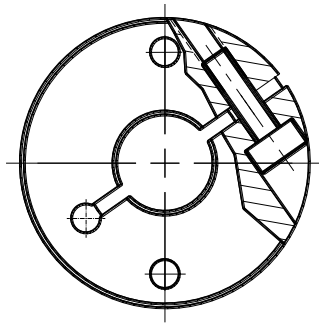
* preferred types

- Couplings are pre-drilled with 4mm and can be drilled (by customer) up to 11 or 16 mm in shaft diameter.

ACCESSORIES

CLAMP DISC, COUPLINGS, CABLES

Spring-ring clutch FSK3022



d1	d2
6mm	6mm
10mm	10mm

Mechanical Data FSK3022

Material flange clutch	Aluminum, protected surface	
Material spring-ring	plastic, glass-fibre reinforced	
R.P.M.	max. 12.000 min ⁻¹	
Torque	max. 60 Ncm	
Shaft offset	radial	± 0.3 mm
	axial	± 0.4 mm
	angle	± 2.5 mm
Torsional Rigidity	50 Nm/rad	

Models and Ordering Description

Description	Type key
Spring-ring clutch	FSK3022 06/06
-----“-----	FSK3022 06/10
-----“-----	FSK3022 10/10

ACCESSORIES

CLAMP DISC, COUPLINGS, CABLES

One Piece Couplings ASK 18

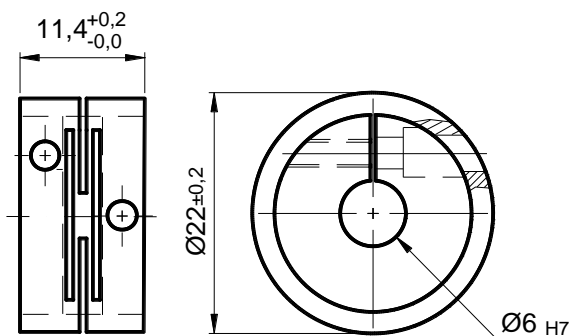
Characteristic features

- short model
- high torsional stiffness
- patented slot-technique
- small mass

Technical Data

Torque	1 Nm
Torsional stiffness	$0,033 * 10^3 \text{ Nm/Rad}$
Appr. mass	14 g
Moment of inertia	10^{-6} kgm^2
Max. shaft offset	
axial	$0,2^\circ$
lateral	0,2 mm
axial	0,2 mm

Mechanical drawing



Order description

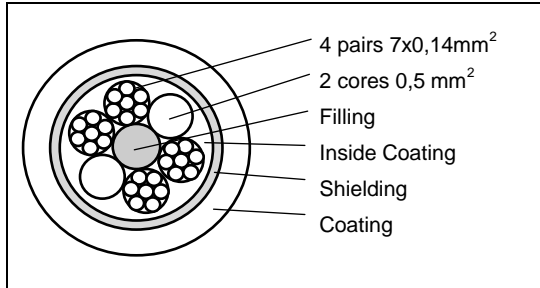
Description	Type key
Slut clutch	ASK 18

ACCESSORIES

CLAMP DISC, COUPLINGS, CABLES

Cables for Rotary Encoders

Type ST-K 30



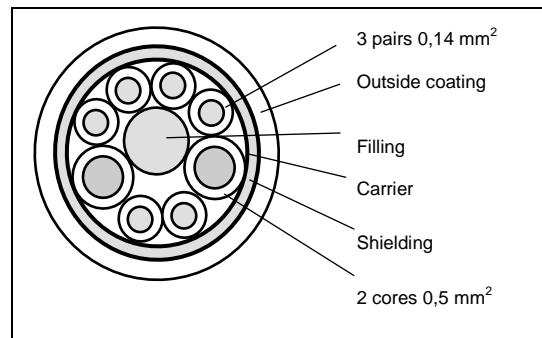
No. of cores	4 x 7 x 0.14 mm ² + 2 x 1.5 mm ²
Outside diameter	D ~ 14.4 mm
Bending radius	5 x D (fixed) 10 x D (moving)
Temperature range	Stationary: -30°C ... +70°C
	Moves: -5°C ... +70°C
Capacitance	Core-core 150 pF/m
Outside coating	PVC

Type cable ST-K 12 / ST-K 24

Model	LIFYCY
No. of cores	{6 / 12} x 2 x 0,14 mm ²
Alignment	Twisted pair
Outside diameter	D ~ {7,2 / 9,3} mm
Bending radius	15 x D (minimum)
Capacitance	Core-core 120 pF/m
Temperature range	Stationary: -30°C ... +70°C
	Moves: -5°C ... +70°C
Outside coating	PVC

Type St-K 4P/G

ables for absolute rotary encoders with synchronous-serial-interface SSI



No. of cores	3 x 2 x 0.14 mm ² 2 x 0.5 mm ²
Outside diameter	D = 7.3 mm
Bending radius	8 x D (minimum)
Capacitance	92 pF/m
Color	Black
Temperature range	Stationary: -40°C ... +80°C
	Moves: -5°C ... +70°C
Core resistance	0.14 mm ² - max. 138Ω/km
	0.50 mm ² - max. 38 Ω/km
Outside coating	PUR