

## Encoder WDG 58T



**Available ex-stock**

- Rugged industrial standard encoder
- All-purpose encoder
- Protection to IP50, shaft sealed to IP54
- Highest mechanical safety

[www.wachendorff-automation.com/wdg58t](http://www.wachendorff-automation.com/wdg58t)

**Available PPR** 360 PPR, 500 PPR, 1024 PPR

### Mechanical Data

#### Housing

- Clamping flange: Aluminium
- Cap: Aluminium
- Cam mounting: pitch 69 mm

#### Shaft

- Ø 10 mm
- Material: stainless steel
- Permitted load on shaft end: max. 220 N radial, max. 120 N axial
- Starting torque: approx. 1 Ncm at ambient temperature

#### Bearings

- Type: 2 precision ball bearings
- Service life: 1 x 10<sup>9</sup> revs. at 100 % rated shaft load, 1 x 10<sup>10</sup> revs. at 40 % rated shaft load, 1 x 10<sup>11</sup> revs. at 20 % rated shaft load

- Max. operating speed: 8000 rpm
- Weight: approx. 250 g
- Connections: radial cable outlet, 1 m, shield not connected (Order key: K1)

- Protection rating: IP50, shaft sealed to IP54 (EN 60529)

- Operating temperature: -10 °C up to +70 °C
- Storage temperature: -30 °C up to +80 °C

### Machinery Directive: basic data safety integrity level

- MTTF<sub>d</sub>: 200 a
- Mission time (T<sub>M</sub>): 25 a
- Nominal service life (L<sub>10h</sub>): 1 x 10<sup>11</sup> revs. at 8000 rpm and 20 % rated shaft load
- Diagnostic coverage (DC): 0 %

### Electrical Data

- Power supply/ Open circuit current consumption: 5 VDC up to 30 VDC: max. 70 mA (Order key R30)

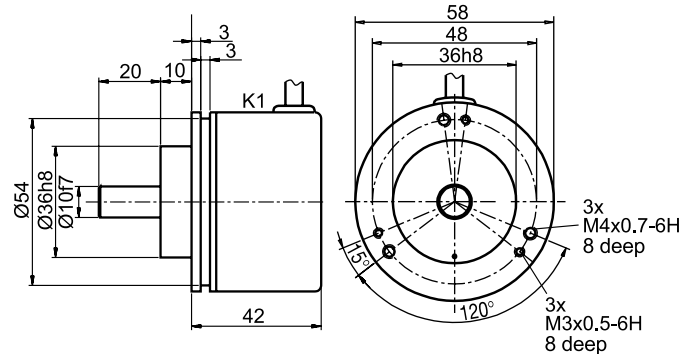
- Output circuit: HTL inverted (without light reserve warning)

- Pulse frequency: max. 150 kHz
- Channels: ABN and inverted signals
- Load: max. 40 mA/channel

- Circuit protection: inverse-polarity protection only

- Accuracy: Phase offset: 90° ± max. 7.5 % of the pulse length
- pulse-/pause-ratio: 50 % ± max. 7 %

### Cable connection K1 with 1 m cable



All dimensional specifications in mm.

### Further technical information on:

[www.wachendorff-automation.com/gtd](http://www.wachendorff-automation.com/gtd)

### Matching accessories on:

[www.wachendorff-automation.com/acs](http://www.wachendorff-automation.com/acs)

### Ordering information:

Pulses per revolution PPR: 360, 500, 1024					
<b>Order No.:</b>					
Example	WDG 58T	500	ABN	R30	K1
Your encoder			ABN	R30	K1