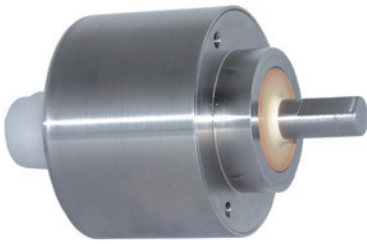


Encoder WDG 58V



Especially for food and beverage industry
Acid- and alkaline resistance

- EHEDG: Tested hygienic design
- Resistance to Salt mist acc. (IEC 60068-2-11)
- Up to 25000 PPR by use of high grad electronics
- Ecolab: Certificate on resistance to cleaning and disinfection agents
- High protection rating IP67 all around and IP69K (high pressure / steam cleaning)
- Radial shaft sealing ring with no dead-room (PTFE)
- Full connection protection with 10 VDC up to 30 VDC
- With light reserve warning

www.wachendorff-automation.com/wdg58v

Further technical information on:

www.wachendorff-automation.com/gtd

Matching accessories on: www.wachendorff-automation.com/acs

Available PPR up to 25000 PPR

Mechanical Data

Housing

- Clamping flange: stainless steel, V4A
- Cap: stainless steel, V4A

Shaft

Ø 10 mm

- Material: stainless steel, V4A
- Permitted load on shaft end: max. 100 N radial, max. 100 N axial
- Starting torque: approx. 1 Ncm at ambient temperature

Bearings

- Type: 2 precision ball bearings
- Service life: 1 x 10⁹ revs. at 100 % rated shaft load, 1 x 10¹⁰ revs. at 40 % rated shaft load, 1 x 10¹¹ revs. at 20 % rated shaft load

Max. operating speed: 3600 rpm

Weight: approx. 600 g

Connections: cable outlet (TPE)

Protection rating: IP67 all around and IP69K
(EN 60529) Resistance to salt mist (IEC 60068-2-11) after 672 hours

Operating temperature: -20 °C up to +80 °C, 1 Vss: -10 °C up to +70 °C
Storage temperature: -20 °C up to +80 °C

Machinery Directive: basic data safety integrity level

MTTF_r: 200 a
Mission time (T_m): 25 a
Nominale service life (L_{10h}): 1 x 10¹¹ revs. at 3600 rpm and 20 % rated shaft load
Diagnostic coverage (DC): 0 %

Electrical Data

Power supply/ Open circuit current consumption: 4.75 VDC up to 5.5 VDC: max. 100 mA, 5 VDC up to 30 VDC: max. 70 mA, 10 VDC up to 30 VDC: max. 100 mA

Output circuit: TTL, RS422 compatible
HTL
1 Vss Sin/Cos

Pulse frequency: TTL ≤ 5000 PPR: max. 200 kHz
HTL ≤ 5000 PPR: max. 200 kHz
TTL > 5000 PPR: max. 2 MHz
HTL > 5000 PPR: max. 600 kHz
1 Vss Sin/Cos: max. 100 kHz

Channels: AB, ABN and inverted signals

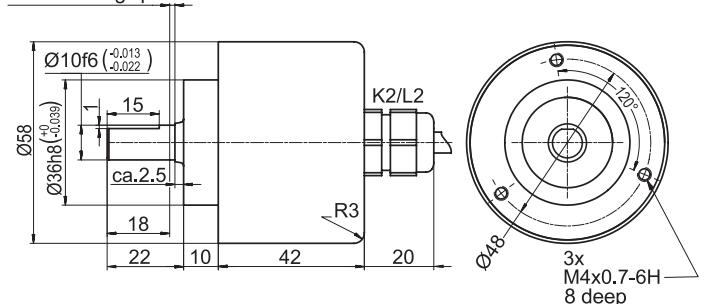
Load: max. 40 mA/channel,
@ 1 Vss Sin/Cos: 120 Ohm termination

Circuit protection: circuit type F24, G24, H24, I24, P24, R24 only

Accuracy: Phase offset: 90° ± max. 7.5 % of the pulse length
pulse-/pause-ratio: 50 % ± max. 7 %

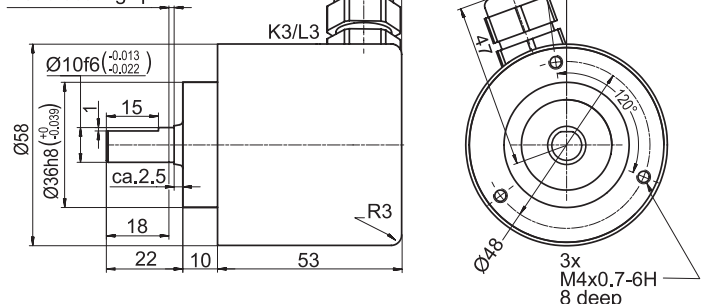
Cable connection K2, L2 with 2 m cable

Minimum distance of 1.5 to sealing lip



Cable connection K3, L3 with 2 m cable

Minimum distance of 1.5 to sealing lip



All dimensional specifications in mm.

